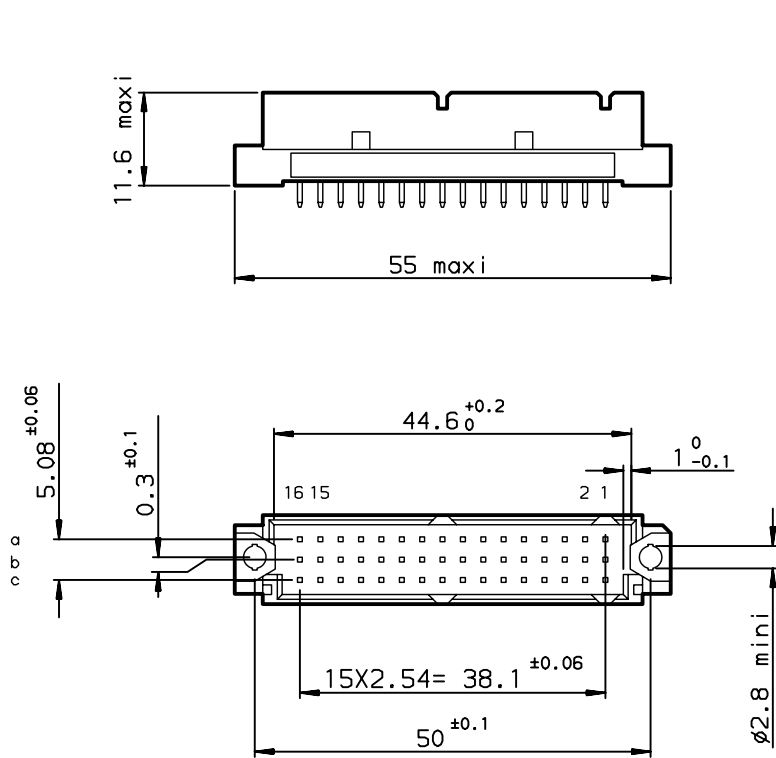
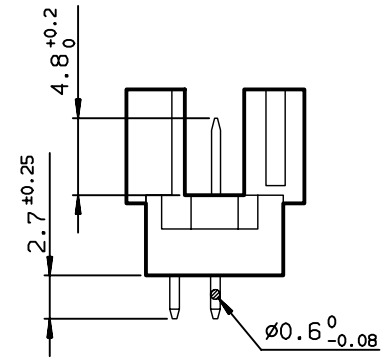


DIMENSIONS



TERMINATION



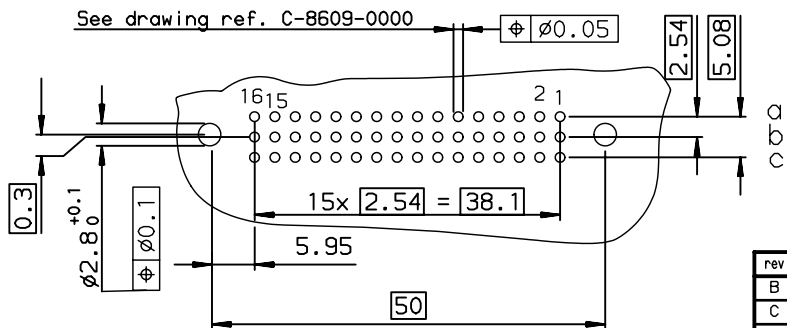
TIN LEAD PART NUMBER

PART NUMBER
86092327624765000E1

LEAD FREE PART NUMBER

PART NUMBER
86092327624765E1LF

P.C. CARD DRILLING (Component side view)



GENERAL CHARACTERISTICS AND ROHS INFORMATIONS:
SEE DRAWING C-8609-0000A

European Views

www.fciconnect.com		surface ISO 1302 ✓	tolerance std ISO 406 ISO 1101	projection mm	size A3	Scale 1.5
TOLERANCES UNLESS OTHERWISE SPECIFIED						
Dr	ROUILLARD	1996/08/01	0.X	±0.1	ECN L506-0095	
Eng	TARON	1996/08/01	ANGULAR	0.XX	Spec ref -	
Chr	LEGARE	1996/08/01	0.XX' ±2'	0.XXX		
Appr	LEGARE	1996/08/01	Product family		DIN 8609	
title		STRAIGHT MALE - STYLE R/2		dwg no		Rev.
32 CONTACTS		C-8609-0517		CUSTOMER		sheet 1 of 1
catalog no						

rev	ecn no	dr	date
B	-	-	2001/02/23
C	L505-001	JTA	2005/03/01
D	L506-0095	LGO	2006/07/12
-	-	-	-
-	-	-	-
-	-	-	-



Copyright FCI.